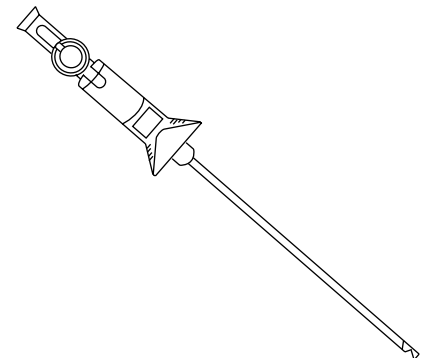


Veress Needle

Cost effective

Fairmont Medical's Veress Needle is available in three convenient sizes, including a 200mm for bariatric surgery. The needle is spring loaded with a inner stylet and well positioned grip at the top of the needle for ease of use.

- Shaped soft touch hub, designed for better grip and handling
- Viewing window, with red indicator
- Coloured Coded 120mm, 150mm and 200mm length



Sterile

Product Code	Colour Grip	Length	Box Quantity
DVN7012	Blue	120mm	30
DVN7015	Yellow	150mm	30
DVN7200	Orange	200mm	30



DVN7012



DVN7015



DVN7200

CO₂ Insufflator Filters and Tubing Sets

The Fairmont Medical range of CO₂ filters are uniquely designed

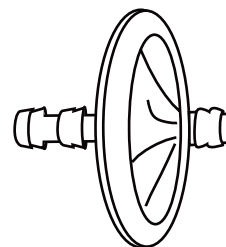
Fairmont Medical's Insufflator Filters are Australian made, making them cost effective. They provide particle filtration to 0.1µm through a PTFE membrane.

- 0.1µm Particle retention PTFE Membrane Filter Media
- Bidirectional filtration capabilities, the media works both ways to allow filtration that protects both patient and insufflator
- Bell shaped housing design, allows for impeded CO₂ gas flow that reduces drop in pressure flow
- Transparent housing allows for easy visualisation of any reflux incident
- Variety of model configurations that allows for easy connection to various insufflator models

Filter

Sterile

DIF7000	Description
Connector	5mm Barb Connectors
Box Quantity	100

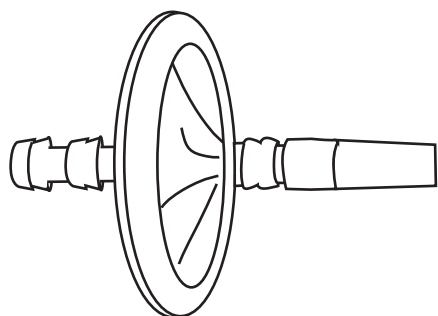


DIF7000

CO₂ Insufflator Filters and Tubing Sets

Filter
Sterile

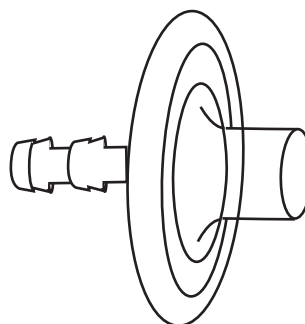
DIF7001	Description
Insufflator Outlet Connector	30mm Silicone Universal Connector
Suits	6mm Barb Outlet
Box Quantity	100



DIF7001

Filter
Sterile

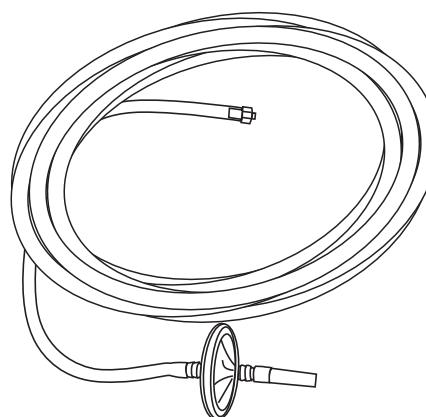
DIF7003	Description
Connector	Female ISO 22mm Connector
Suits	22mm Male Outlet
Box Quantity	100



DIF7003

Filter with Tubing
Sterile

DIF7002	Description
Insufflator Outlet Connector	30mm Silicone Universal adaptor
Suits	6mm Barb
Tubing Length	3m with rotating male Luer Lock
Box Quantity	50



DIF7002



DIF7002



DIF7004



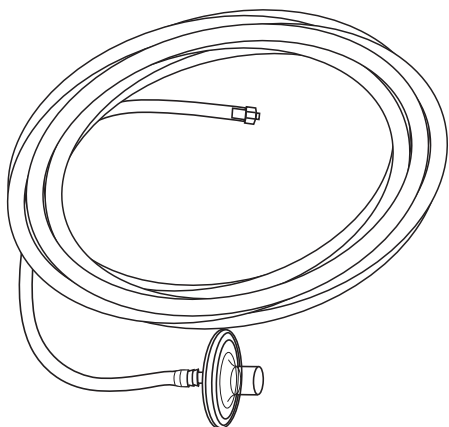
DIF7205

CO₂ Insufflator Filters and Tubing Sets

Filter with Tubing

Sterile

DIF7004	Description
Insufflator Outlet Connector	22mm Female ISO
Suits	22mm Male Outlet
Tubing Length	3m with rotating male Luer Lock
Box Quantity	50

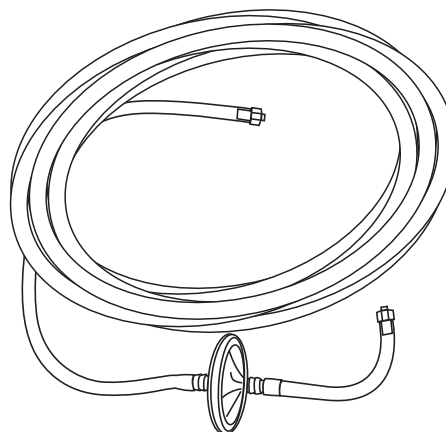


DIF7004

Filter with Tubing

Sterile

DIF7005	Description
Insufflator Outlet Connector	Male Luer Lock Connector
Suits	Female Luer Outlet
Tubing Length	3m with rotating male Luer Lock
Box Quantity	50

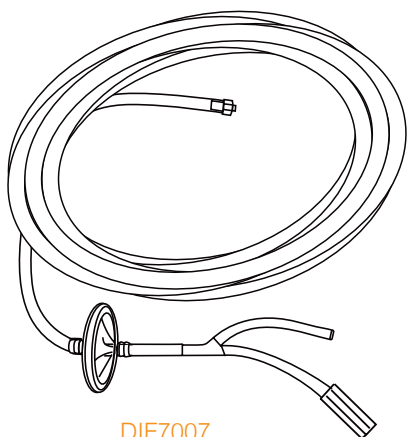


DIF7005

Filter with Tubing

Sterile

DIF7007	Description
Insufflator Outlet Connector	Male Luer Lock Connector with 1 White Hexagonal Connector
Suits	Sopro Outlet
Tubing Length	Y Extension and 3m Tubing with male rotating Luer Lock
Box Quantity	50

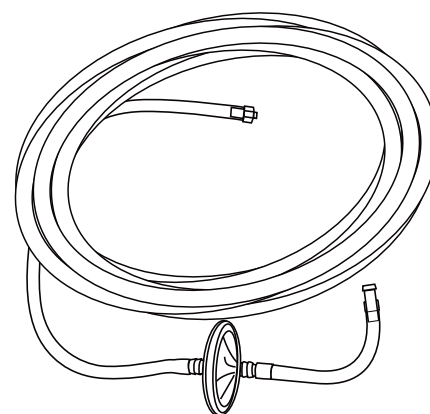


DIF7007

Filter with Tubing

Sterile

DIF7009	Description
Insufflator Outlet Connector	Female Luer Lock
Suits	Male Luer Outlet
Tubing Length	3m with rotating male Luer Lock
Box Quantity	50



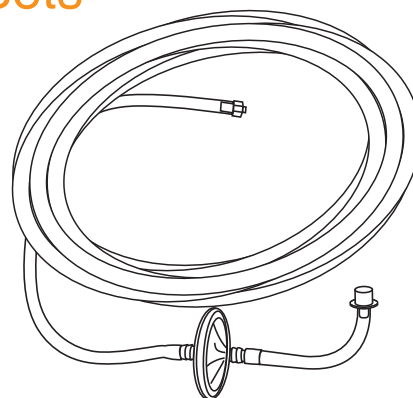
DIF7009

CO₂ Insufflator Filters and Tubing Sets

Filter with Tubing

Sterile

DIF7205	Description
Insufflator Outlet Connector	15mm Male Connector
Suits	15mm Female Outlets
Tubing Length	3m with rotating male Luer Lock
Box Quantity	50



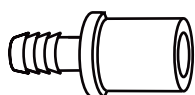
DIF7205

CO₂ Insufflator Adaptors

Adaptor

Non-Sterile

DIF7015	Description
Connector	15mm Insufflator Adaptor
Box Quantity	1 per box

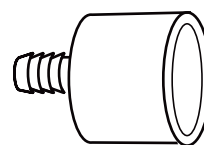


DIF7015

Adaptor

Non-Sterile

DIF7016	Description
Connector	22mm Insufflator Adaptor
Box Quantity	1 per box



DIF7016

Laparoscopic Smoke Filter Set

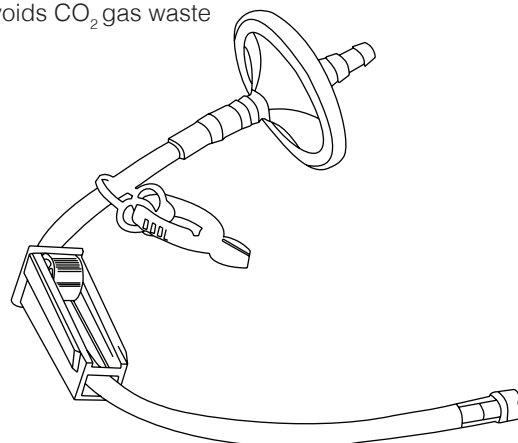
Lapview is a passive and on demand smoke evacuation filter which is used where surgical plume is generated inside the abdomen of patients during Laparoscopic procedures

A charcoal filter traps surgical plume and odour whilst the PTFE hydrophobic filter traps particles, bacteria and viruses. The device comes with a drape clip to keep it out of the surgical field and a roller clamp giving the surgeon easy control over the rate of evacuation of plume.

- Two carbon filters to remove larger smoke particles and thus removing odour
- PTFE filter removes particles which may contain viruses and bacteria
- Allows easy fixation to surgical drapes, through the drape clip
- Outlet designed to allow approx 4L per minute of gas release, which avoids CO₂ gas waste

Sterile

LESS7008	Description
Connector	Luer Lock
Filters	Activated Carbon Filter 59gsm
Tubing ID	5.4mm
Tubing OD	7.2mm
Length	300mm
Box Quantity	40



LESS7008